

AMP ANDROID POS

Model Number Selection Guide

To choose a model, please review the specification charts and replace the #, X, Y, or Z placeholder with the configuration of your choosing. For example, an AMP 6500 unit with Contactless, 4G, and MDB-Slave would be AMP 6500-**BE**. If you require assistance with part selection, or would like to order a special configuration, please contact an AMP sales representative via e-mail at: sales@amobilepayment.com.

AMP 6500 - XY

Y	4G	MDB-Master	MDB-Slave
O	<input type="checkbox"/>	<input type="checkbox"/>	<input type="checkbox"/>
A	<input checked="" type="checkbox"/>	<input type="checkbox"/>	<input type="checkbox"/>
B	<input type="checkbox"/>	<input checked="" type="checkbox"/>	<input type="checkbox"/>
C	<input type="checkbox"/>	<input type="checkbox"/>	<input checked="" type="checkbox"/>
D	<input checked="" type="checkbox"/>	<input checked="" type="checkbox"/>	<input type="checkbox"/>
E	<input checked="" type="checkbox"/>	<input type="checkbox"/>	<input checked="" type="checkbox"/>

X	Contactless	Camera
O	<input type="checkbox"/>	<input type="checkbox"/>
A	<input type="checkbox"/>	<input checked="" type="checkbox"/>
B	<input checked="" type="checkbox"/>	<input type="checkbox"/>
C	<input checked="" type="checkbox"/>	<input checked="" type="checkbox"/>

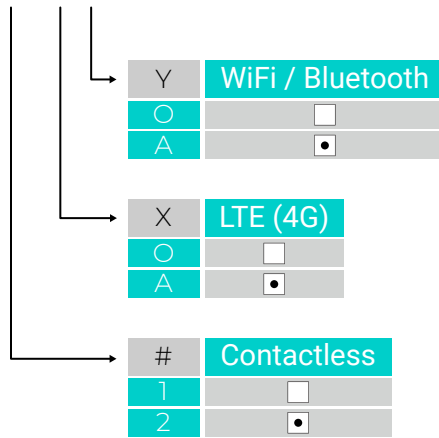
AMP 6700 - XY-Z

Z	Printer	Biometrics
O	<input type="checkbox"/>	<input type="checkbox"/>
A	<input checked="" type="checkbox"/>	<input type="checkbox"/>
B	<input checked="" type="checkbox"/>	<input checked="" type="checkbox"/>

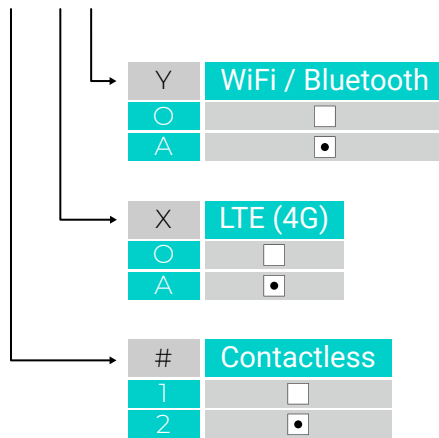
Y	WiFi	Bluetooth	3G	LTE
O	<input type="checkbox"/>	<input type="checkbox"/>	<input type="checkbox"/>	<input type="checkbox"/>
A	<input checked="" type="checkbox"/>	<input type="checkbox"/>	<input type="checkbox"/>	<input type="checkbox"/>
B	<input checked="" type="checkbox"/>	<input checked="" type="checkbox"/>	<input type="checkbox"/>	<input type="checkbox"/>
C	<input checked="" type="checkbox"/>	<input checked="" type="checkbox"/>	<input checked="" type="checkbox"/>	<input type="checkbox"/>
D	<input type="checkbox"/>	<input checked="" type="checkbox"/>	<input checked="" type="checkbox"/>	<input type="checkbox"/>
E	<input type="checkbox"/>	<input type="checkbox"/>	<input checked="" type="checkbox"/>	<input type="checkbox"/>
F	<input checked="" type="checkbox"/>	<input type="checkbox"/>	<input type="checkbox"/>	<input checked="" type="checkbox"/>
G	<input checked="" type="checkbox"/>	<input checked="" type="checkbox"/>	<input type="checkbox"/>	<input checked="" type="checkbox"/>
H	<input type="checkbox"/>	<input checked="" type="checkbox"/>	<input type="checkbox"/>	<input checked="" type="checkbox"/>
I	<input type="checkbox"/>	<input type="checkbox"/>	<input type="checkbox"/>	<input checked="" type="checkbox"/>

X	SD	LAN2	POE
O	<input type="checkbox"/>	<input type="checkbox"/>	<input type="checkbox"/>
A	<input checked="" type="checkbox"/>	<input type="checkbox"/>	<input type="checkbox"/>
B	<input checked="" type="checkbox"/>	<input checked="" type="checkbox"/>	<input type="checkbox"/>
C	<input checked="" type="checkbox"/>	<input checked="" type="checkbox"/>	<input checked="" type="checkbox"/>
D	<input type="checkbox"/>	<input checked="" type="checkbox"/>	<input type="checkbox"/>
E	<input type="checkbox"/>	<input checked="" type="checkbox"/>	<input checked="" type="checkbox"/>
F	<input checked="" type="checkbox"/>	<input type="checkbox"/>	<input checked="" type="checkbox"/>

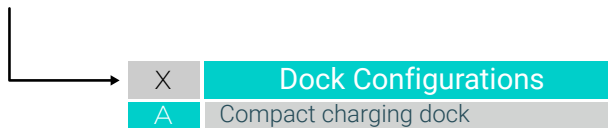
AMP 8000 - #-XY



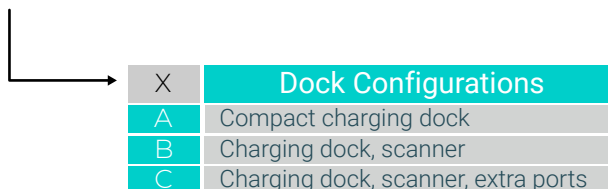
AMP 8200 - #-XY



AMP 8000 DOCK - X



AMP 8200 DOCK - X



AMP LINUX POS

Model Number Selection Guide

To choose a model, please review the specification charts and replace the X, Y, or Z placeholder with the configuration of your choosing. For example, an AMP 3000 unit with RS232, Contactless, Battery and 3G would be AMP 3000 - DA.

AMP 2000 - XY

Y	Bluetooth	
O	<input type="checkbox"/>	
X	Contactless	Battery
O	<input type="checkbox"/>	<input type="checkbox"/>
A	<input checked="" type="checkbox"/>	<input checked="" type="checkbox"/>

AMP 3000 - XY-Z

Z	Bridge Mounted				
BR	<input type="checkbox"/>				
Y	RS232	USB	Wi-Fi	Bluetooth	
O	<input type="checkbox"/>	<input type="checkbox"/>	<input type="checkbox"/>	<input type="checkbox"/>	
A	<input checked="" type="checkbox"/>	<input type="checkbox"/>	<input type="checkbox"/>	<input type="checkbox"/>	
B	<input type="checkbox"/>	<input checked="" type="checkbox"/>	<input type="checkbox"/>	<input type="checkbox"/>	
C	<input type="checkbox"/>	<input type="checkbox"/>	<input checked="" type="checkbox"/>	<input type="checkbox"/>	
D	<input type="checkbox"/>	<input type="checkbox"/>	<input type="checkbox"/>	<input checked="" type="checkbox"/>	
E	<input type="checkbox"/>	<input type="checkbox"/>	<input checked="" type="checkbox"/>	<input checked="" type="checkbox"/>	
F	<input checked="" type="checkbox"/>	<input type="checkbox"/>	<input checked="" type="checkbox"/>	<input type="checkbox"/>	
G	<input type="checkbox"/>	<input checked="" type="checkbox"/>	<input checked="" type="checkbox"/>	<input type="checkbox"/>	
X	Contactless	Battery	GPRS	CDMA	3G
O	<input checked="" type="checkbox"/>	<input type="checkbox"/>	<input type="checkbox"/>	<input type="checkbox"/>	<input type="checkbox"/>
A	<input checked="" type="checkbox"/>	<input checked="" type="checkbox"/>	<input checked="" type="checkbox"/>	<input type="checkbox"/>	<input type="checkbox"/>
B	<input checked="" type="checkbox"/>	<input checked="" type="checkbox"/>	<input type="checkbox"/>	<input checked="" type="checkbox"/>	<input type="checkbox"/>
C	<input checked="" type="checkbox"/>	<input checked="" type="checkbox"/>	<input type="checkbox"/>	<input type="checkbox"/>	<input type="checkbox"/>
D	<input checked="" type="checkbox"/>	<input checked="" type="checkbox"/>	<input type="checkbox"/>	<input type="checkbox"/>	<input checked="" type="checkbox"/>

AMP 5000 - XY

Y	LAN	Wi-Fi
O	<input type="checkbox"/>	<input type="checkbox"/>
A	<input checked="" type="checkbox"/>	<input type="checkbox"/>
B	<input type="checkbox"/>	<input checked="" type="checkbox"/>
E	<input checked="" type="checkbox"/>	<input checked="" type="checkbox"/>

X	Contactless	PSTN
O	<input checked="" type="checkbox"/>	<input type="checkbox"/>
A	<input checked="" type="checkbox"/>	<input checked="" type="checkbox"/>

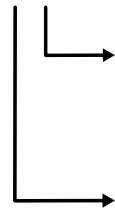
AMP 7000 - XY-Z

Z	Extra Configuration					
D	Dual SIM					
S1	Scanner 1 D					
S2	Scanner 2 D					
G	GPS					

Y	LAN	Wi-Fi	Bluetooth
O	<input type="checkbox"/>	<input type="checkbox"/>	<input type="checkbox"/>
A	<input checked="" type="checkbox"/>	<input type="checkbox"/>	<input type="checkbox"/>
B	<input type="checkbox"/>	<input checked="" type="checkbox"/>	<input type="checkbox"/>
C	<input type="checkbox"/>	<input type="checkbox"/>	<input checked="" type="checkbox"/>
D	<input checked="" type="checkbox"/>	<input checked="" type="checkbox"/>	<input type="checkbox"/>
E	<input checked="" type="checkbox"/>	<input checked="" type="checkbox"/>	<input checked="" type="checkbox"/>

X	Contactless	Battery	PSTN	GPRS	CDMA	3G
O	<input checked="" type="checkbox"/>	<input type="checkbox"/>	<input type="checkbox"/>	<input type="checkbox"/>	<input type="checkbox"/>	<input type="checkbox"/>
A	<input checked="" type="checkbox"/>	<input type="checkbox"/>	<input checked="" type="checkbox"/>	<input type="checkbox"/>	<input type="checkbox"/>	<input type="checkbox"/>
B	<input checked="" type="checkbox"/>	<input type="checkbox"/>	<input checked="" type="checkbox"/>	<input checked="" type="checkbox"/>	<input type="checkbox"/>	<input type="checkbox"/>
C	<input checked="" type="checkbox"/>	<input type="checkbox"/>	<input type="checkbox"/>	<input checked="" type="checkbox"/>	<input type="checkbox"/>	<input type="checkbox"/>
D	<input checked="" type="checkbox"/>	<input type="checkbox"/>	<input type="checkbox"/>	<input type="checkbox"/>	<input checked="" type="checkbox"/>	<input type="checkbox"/>
E	<input checked="" type="checkbox"/>	<input checked="" type="checkbox"/>	<input checked="" type="checkbox"/>	<input type="checkbox"/>	<input checked="" type="checkbox"/>	<input type="checkbox"/>
F	<input checked="" type="checkbox"/>	<input checked="" type="checkbox"/>	<input type="checkbox"/>	<input type="checkbox"/>	<input type="checkbox"/>	<input checked="" type="checkbox"/>
G	<input checked="" type="checkbox"/>	<input checked="" type="checkbox"/>	<input checked="" type="checkbox"/>	<input type="checkbox"/>	<input type="checkbox"/>	<input type="checkbox"/>
H	<input checked="" type="checkbox"/>	<input checked="" type="checkbox"/>	<input checked="" type="checkbox"/>	<input checked="" type="checkbox"/>	<input type="checkbox"/>	<input type="checkbox"/>
I	<input checked="" type="checkbox"/>	<input checked="" type="checkbox"/>	<input checked="" type="checkbox"/>	<input type="checkbox"/>	<input checked="" type="checkbox"/>	<input type="checkbox"/>
J	<input checked="" type="checkbox"/>	<input checked="" type="checkbox"/>	<input checked="" type="checkbox"/>	<input type="checkbox"/>	<input type="checkbox"/>	<input type="checkbox"/>

AMP 9000 - XY



Y	Wi-Fi					
O	<input type="checkbox"/>					
A	<input checked="" type="checkbox"/>					
X	Contactless	Battery	GPRS	CDMA	3G	
O	<input checked="" type="checkbox"/>	<input checked="" type="checkbox"/>	<input type="checkbox"/>	<input type="checkbox"/>	<input type="checkbox"/>	
A	<input checked="" type="checkbox"/>	<input checked="" type="checkbox"/>	<input checked="" type="checkbox"/>	<input type="checkbox"/>	<input type="checkbox"/>	
B	<input checked="" type="checkbox"/>	<input checked="" type="checkbox"/>	<input type="checkbox"/>	<input checked="" type="checkbox"/>	<input type="checkbox"/>	
C	<input checked="" type="checkbox"/>	<input checked="" type="checkbox"/>	<input type="checkbox"/>	<input type="checkbox"/>	<input checked="" type="checkbox"/>	

If you require assistance with part selection, or would like to order a special configuration, please contact an AMP sales representative via e-mail at: sales@amobilepayment.com.