

AMP POS

Model Number Selection Guide

To choose a model, please review the specification charts and replace the #, X, Y, or Z placeholder with the configuration of your choosing. For example, an AMP 6500 unit with Contactless, 4G, and MDB-Slave would be AMP 6500-**BE**. If you require assistance with part selection, or would like to order a special configuration, please contact an AMP sales representative via e-mail at: sales@amobilepayment.com.

AMP 6500 - XY

Y	4G	MDB-Master	MDB-Slave
O	<input type="checkbox"/>	<input type="checkbox"/>	<input type="checkbox"/>
A	<input checked="" type="checkbox"/>	<input type="checkbox"/>	<input type="checkbox"/>
B	<input type="checkbox"/>	<input checked="" type="checkbox"/>	<input type="checkbox"/>
C	<input type="checkbox"/>	<input type="checkbox"/>	<input checked="" type="checkbox"/>
D	<input checked="" type="checkbox"/>	<input checked="" type="checkbox"/>	<input type="checkbox"/>
E	<input checked="" type="checkbox"/>	<input type="checkbox"/>	<input checked="" type="checkbox"/>

X	Contactless	Camera
O	<input type="checkbox"/>	<input type="checkbox"/>
A	<input type="checkbox"/>	<input checked="" type="checkbox"/>
B	<input checked="" type="checkbox"/>	<input type="checkbox"/>
C	<input checked="" type="checkbox"/>	<input checked="" type="checkbox"/>

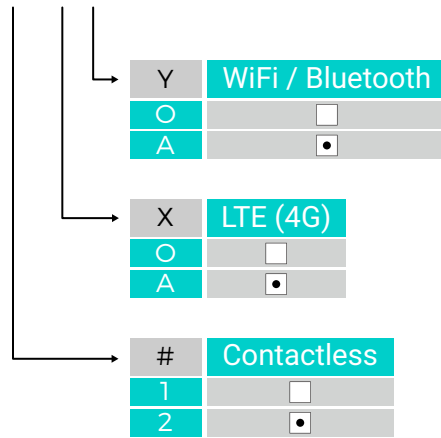
AMP 6700 - XY-Z

Z	Printer	Biometrics
O	<input type="checkbox"/>	<input type="checkbox"/>
A	<input checked="" type="checkbox"/>	<input type="checkbox"/>
B	<input checked="" type="checkbox"/>	<input checked="" type="checkbox"/>

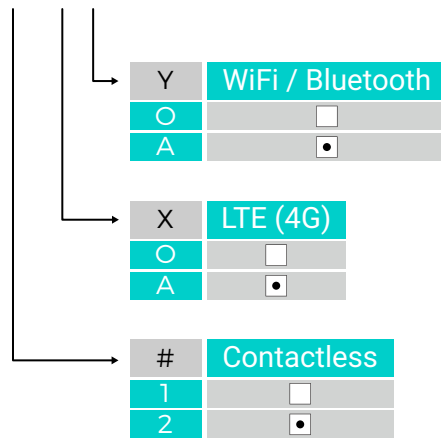
Y	WiFi	Bluetooth	3G	LTE
O	<input type="checkbox"/>	<input type="checkbox"/>	<input type="checkbox"/>	<input type="checkbox"/>
A	<input checked="" type="checkbox"/>	<input type="checkbox"/>	<input type="checkbox"/>	<input type="checkbox"/>
B	<input checked="" type="checkbox"/>	<input checked="" type="checkbox"/>	<input type="checkbox"/>	<input type="checkbox"/>
C	<input checked="" type="checkbox"/>	<input checked="" type="checkbox"/>	<input checked="" type="checkbox"/>	<input type="checkbox"/>
D	<input type="checkbox"/>	<input checked="" type="checkbox"/>	<input checked="" type="checkbox"/>	<input type="checkbox"/>
E	<input type="checkbox"/>	<input type="checkbox"/>	<input checked="" type="checkbox"/>	<input type="checkbox"/>
F	<input checked="" type="checkbox"/>	<input type="checkbox"/>	<input type="checkbox"/>	<input checked="" type="checkbox"/>
G	<input checked="" type="checkbox"/>	<input checked="" type="checkbox"/>	<input type="checkbox"/>	<input checked="" type="checkbox"/>
H	<input type="checkbox"/>	<input checked="" type="checkbox"/>	<input type="checkbox"/>	<input checked="" type="checkbox"/>
I	<input type="checkbox"/>	<input type="checkbox"/>	<input type="checkbox"/>	<input checked="" type="checkbox"/>

X	SD	LAN2	POE
O	<input type="checkbox"/>	<input type="checkbox"/>	<input type="checkbox"/>
A	<input checked="" type="checkbox"/>	<input type="checkbox"/>	<input type="checkbox"/>
B	<input checked="" type="checkbox"/>	<input checked="" type="checkbox"/>	<input type="checkbox"/>
C	<input checked="" type="checkbox"/>	<input checked="" type="checkbox"/>	<input checked="" type="checkbox"/>
D	<input type="checkbox"/>	<input checked="" type="checkbox"/>	<input type="checkbox"/>
E	<input type="checkbox"/>	<input checked="" type="checkbox"/>	<input checked="" type="checkbox"/>
F	<input checked="" type="checkbox"/>	<input type="checkbox"/>	<input checked="" type="checkbox"/>

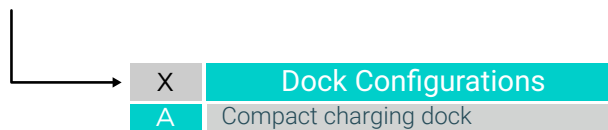
AMP 8000 - #-XY



AMP 8200 - #-XY



AMP 8000 DOCK - X



AMP 8200 DOCK - X

